

## CFS Small Wall Pack

Available in lamp color temperatures 3000K, 4000K, or 5000K.

Part Number:

55 Watt: CFS-PHWP/85

**FEATURES:** Die cast aluminum housing, glass diffuser, anodized aluminum reflector, with an architectural platinum finish.

**ELECTRICAL:** UL listed for wet and damp locations. 85 watt, 120 through 277 VAC. (must specify)

**HOUSING:** Two piece heavy duty die cast aluminum. Frame is hinged and secured to back box with two stainless steel screws. A silicone gasket provides a weather seal.

**DIFFUSER:** High impact heat resistant borosilicate glass for wide spread distribution.

**MOUNTING:** Wall mount for indoor or outdoor application.



### Induction lighting Features

#### No electrodes or filaments

- \*100,000 hrs rated average life.
- \*Low lumen depreciation of <30% @ 60,000 hours.
- \*Low operating temperature of components.

#### High-frequency operation

- \*High system efficacy(65-70lm/W)
- \*No flickering
- \*No stroboscopic effect
- \*No noise

#### Electronic control

- \*Output-protected HF generator

#### Instant (re-)start

- \*Light available instantly when needed
- \*Short ignition time <0.5sec

#### 3-line fluorescent coating

- \*Choice of color temperature
- \*White light
- \*Excellent color rendition (CRI 85)
- \*No color deviation

### Induction Lighting Benefits

- \*High reliability and virtually maintenance-free operation.
- \*Lasting light output right through life time.
- \*Increased safety, more standard luminaire construction.
- \*Economic, environment-friendly lighting in situations with long burning hours.
- \*Restful non-fatiguing light.
- \*No danger with rotating machinery.
- \*Non-disturbing in operations.
- \*Automatic switch-off in case of lamp or power coupler failure.
- \*Generator resets 15-30 seconds after switch off.
- \*Suitable for security and safety lighting.
- \*More comfort.
- \*Useful light immediately after switch-on.
- \*Installation can be matched to lighting situations and requirements.
- \*Uniform predictable lighting results throughout larger installations; color maintained through life.

### **INDUCTION LIGHTING**

Induction lighting makes use of a technology which is fundamentally different from that of incandescent lamps or today's conventional gas discharge lamps. Instead of the glowing filaments of incandescent lamps, or the electrodes used in conventional gas discharge lamps, light generation is by means of induction— the transmission of energy via a magnetic field— combined with a gas discharge. Combining the basic principles of induction and gas discharge, this revolutionary concept in light generation offers benefits never before possible.

All CFS Inc. products come with a 5 year warranty.

CFS INC.

3 Adams Street- Belvidere, NJ 07823- Tel: 908-475-8991 Fax: 973-729-1271  
E-mail: [info@cfsinc.us](mailto:info@cfsinc.us)

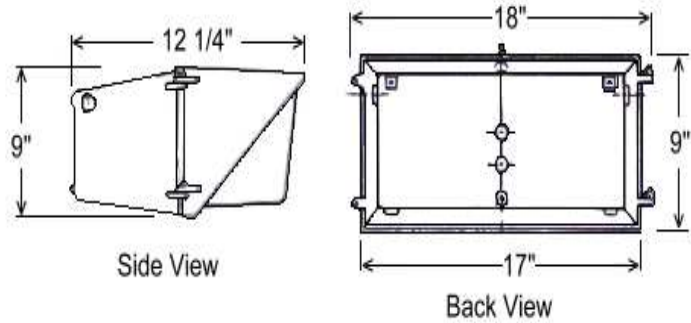
Web Site: [www.cfsinc.us](http://www.cfsinc.us)

# PHOTO METRICS FOR 85 WATT WALL PACK

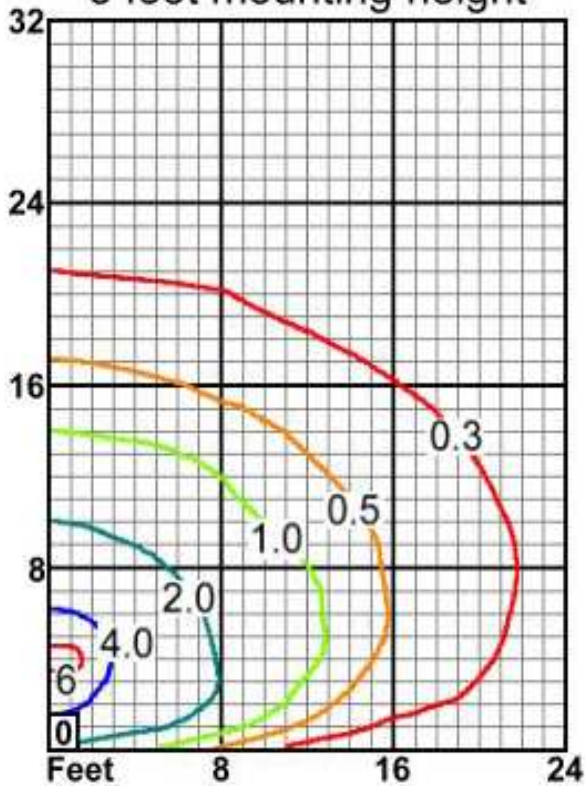
Surface Mounted  
 Indoor Applications  
 Specify source color temperature 3000K or 4000K

## Lamp Technical Data 85 Watt

Initial Lumens.....6000  
 Approx. Mean Lumens.....4800  
 System Watts.....85  
 Color Rendering Index.....85  
 Voltage Range.....120-277  
 Hot Re-strike.....Instant  
 Operating Freq.....2.65Mhz  
 Burning Position.....Any  
 Min. Starting Temp Degrees F.....0  
 Rated Avg. Life (Hrs).....100,000



CFS-WP 85W Wall Pack  
 Horizontal Footcandles  
 8 foot mounting height



CFS-WP 85W Wall Pack  
 Horizontal Footcandles  
 12 foot mounting height

