

## CFS-ZD107 ROADWAY SERIES 70~150 Watts



Ordering Info	
70W	CFS-ZD107-150E-ST70W
80W	CFS-ZD107-150E-ST80W
100W	CFS-ZD107-150E-ST100W
120W	CFS-ZD107-150E-ST120W
150W	CFS-ZD107-150E-ST150W

### Features:

- \*High pressure die cast aluminum alloy housing for corrosion-resistance.
- \*Anodized aluminum reflector and UV stabilized polycarbonate lens are designed to optimize light distribution.

### Lamps and ballasts:

- \*70~150W square loop induction lamps with high lighting efficacy at rated 100,000hrs lifetime, about 20 years burning on 4000hrs/year.
- \*Electronic ballast features high power factor (>0.95), flickering free, constant output wattage, and safe protection.

### Ambient temperature for lighting fixture:

- \*-20C~40C

### Applications:

- \*Freeway, highway, parking lots, public entrances, off street areas.

### Induction lighting Features

#### No electrodes or filaments

- \*100,000 hrs rated average life.
- \*Low lumen depreciation of <30% @ 60,000 hours.
- \*Low operating temperature of components.

#### High-frequency operation

- \*High system efficacy(65-70lm/W)
- \*No flickering
- \*No stroboscopic effect
- \*No noise

#### Electronic control

- \*Output-protected HF generator

#### Instant (re-)start

- \*Light available instantly when needed
- \*Short ignition time <0.5sec

#### 3-line fluorescent coating

- \*Choice of color temperature
- \*White light
- \*Excellent color rendition (CRI 85)
- \*No color deviation

### Induction Lighting Benefits

- \*High reliability and virtually maintenance-free operation.
- \*Lasting light output right through life time.
- \*Increased safety, more standard luminaire construction.
- \*Economic, environment-friendly lighting in situations with long burning hours.
  - \*Restful non-fatiguing light.
  - \*No danger with rotating machinery.
  - \*Non-disturbing in operations.
- \*Automatic switch-off in case of lamp or power coupler failure.
  - \*Generator resets 15-30 seconds after switch off.
  - \*Suitable for security and safety lighting.
  - \*More comfort.
  - \*Useful light immediately after switch-on.
- \*Installation can be matched to lighting situations and requirements.
- \*Uniform predictable lighting results throughout larger installations; color maintained through life.



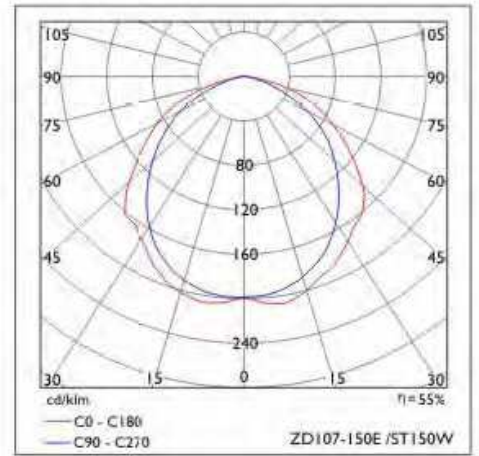
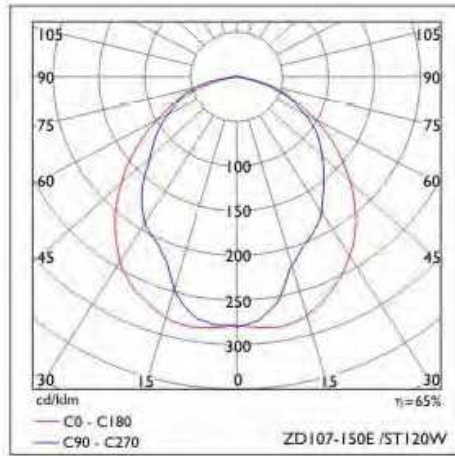
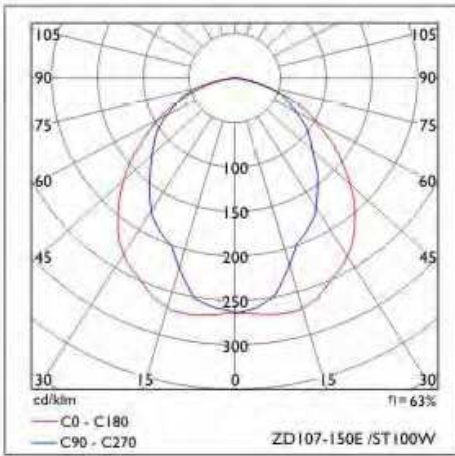
ST400

All CFS Inc. products come with a 5 year warranty.

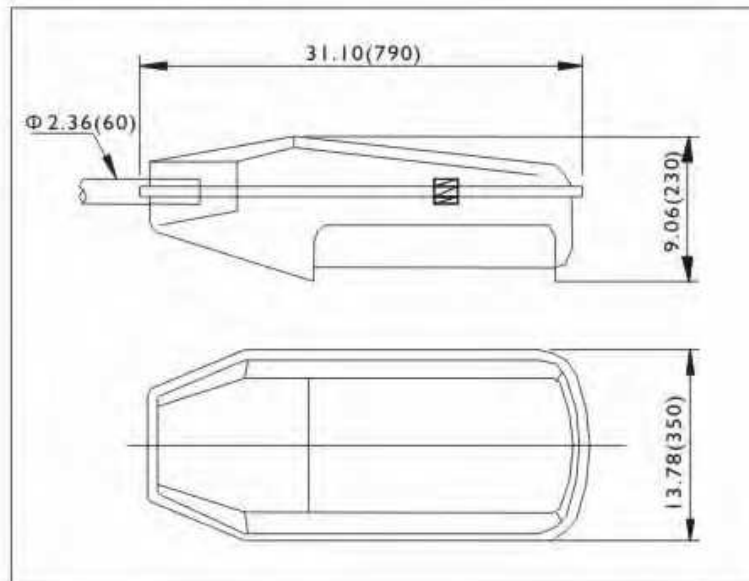
CFS INC.

3 Adams Street- Belvidere, NJ 07823- Tel: 908-475-8991 Fax: 973-729-1271  
E-mail: [info@cfsinc.us](mailto:info@cfsinc.us) Web Site: [www.cfsinc.us](http://www.cfsinc.us)

# CFS-ZD107 ROADWAY SERIES 100~150 Watt Photometrics



## Dimensions



## Installation Instructions



Loosen the steel clip



Open the fixture



Assemble the pole with the fixture. Adjust the level and tighten the set screw with the torque at 13-15NM.



The customer's power cable goes through the pole and cable press, and connect the cable as per the wiring diagram.



Close the fixture with the steel clip.