

CFS-ZD10 ROADWAY SERIES 70~150 Watts



Ordering Info		
Wattage	Flat Glass Lens	Round Polycarbonate Lens
70W	CFS-ZD10-150E-ST70W	CFS-ZD10a-150E-ST70W
80W	CFS-ZD10-150E-ST80W	CFS-ZD10a-150E-ST80W
100W	CFS-ZD10-150E-ST100W	CFS-ZD10a-150E-ST100W
120W	CFS-ZD10-150E-ST120W	CFS-ZD10a-150E-ST120W
150W	CFS-ZD10-150E-ST150W	CFS-ZD10a-150E-ST150W
200W	CFS-ZD10-200E-ST200W	CFS-ZD10a-200E-ST200W
250W	CFS-ZD10-250E-ST250W	CFS-ZD10a-250E-ST250W

- Features:**
- *High-pressure die cast alloy aluminum lamp frame and strong stretched aluminum alloy upper casing with the surface of electrostatic painting for corrosion resistance and durable use.
 - *High purity aluminum reflector with vacuum coated inner surface.
 - *Clear tempered glass lens or polycarbonate lens available.
 - *Heat resistant silicone rubber sealing ring to ensure high level of IP rating.
 - *Optional photocell to maximize energy savings.

- Lamp and Ballast:**
- *70W~250W square tubular induction lamp features high lighting efficacy, long lifetime, excellent color rendering, stable output.
 - *Electronic ballast features high power factor (>0.95), flicker free, low loss, constant output.

- Applications:**
- *Freeway, highway, parking lots, public entrances, off-set streets.

Induction lighting Features No electrodes or filaments

- *100,000 hrs rated average life.
- *Low lumen depreciation of <30% @ 60,000 hours.
- *Low operating temperature of components.

High-frequency operation

- *High system efficacy(65-70lm/W)
- *No flickering
- *No stroboscopic effect
- *No noise

Electronic control

- *Output-protected HF generator

Instant (re-)start

- *Light available instantly when needed
- *Short ignition time <0.5sec

3-line fluorescent coating

- *Choice of color temperature
- *White light
- *Excellent color rendition (CRI 85)
- *No color deviation

Induction Lighting Benefits

- *High reliability and virtually maintenance-free operation.
- *Lasting light output right through life time.
- *Increased safety, more standard luminaire construction.
- *Economic, environment-friendly lighting in situations with long burning hours.
 - *Restful non-fatiguing light.
 - *No danger with rotating machinery.
 - *Non-disturbing in operations.
- *Automatic switch-off in case of lamp or power coupler failure.
 - *Generator resets 15-30 seconds after switch off.
 - *Suitable for security and safety lighting.
 - *More comfort.
 - *Useful light immediately after switch-on.
- *Installation can be matched to lighting situations and requirements.
- *Uniform predictable lighting results throughout larger installations; color maintained through life.



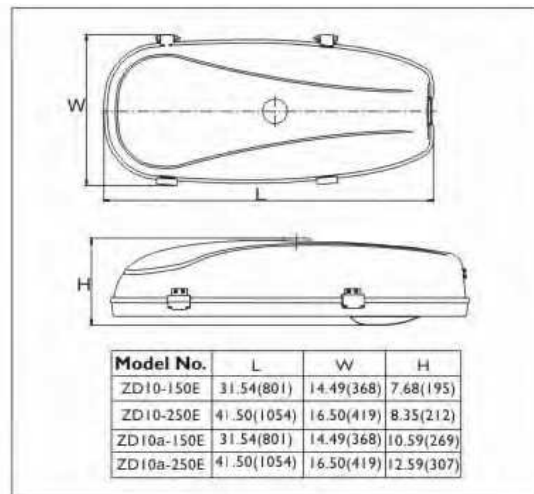
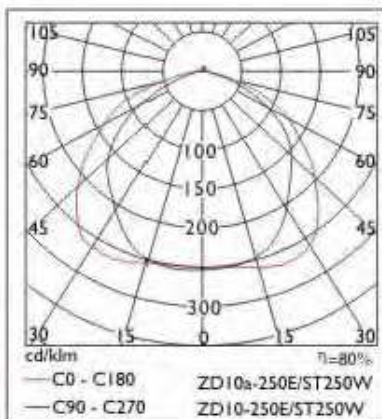
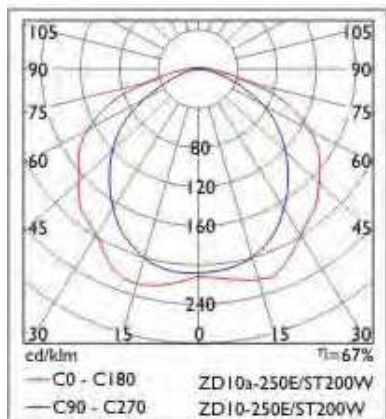
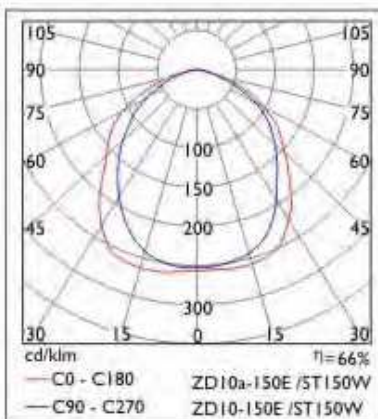
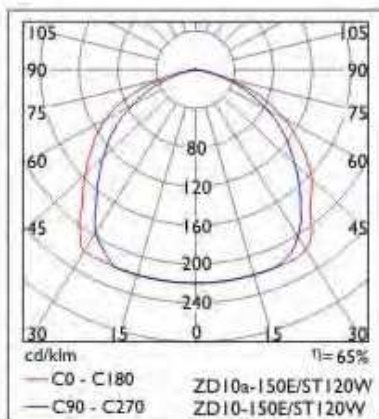
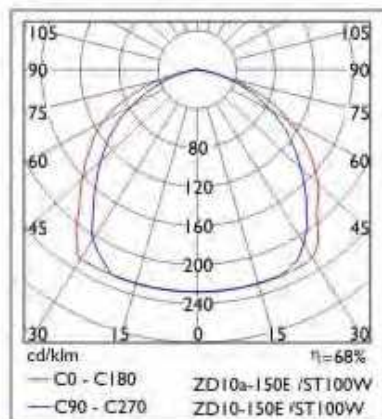
ST400

All CFS Inc. products come with a 5 year warranty.

CFS INC.

3 Adams Street- Belvidere, NJ 07823- Tel: 908-475-8991 Fax: 973-729-1271
E-mail: info@cfsinc.us Web Site: www.cfsinc.us

CFS-ZD10 ROADWAY SERIES 70~250 Watt Photometrics



Dimensions

Installation Instructions



1 Loosen the steel clip .



2 Open the fixture.



3 Push in the pole. Set the level and tighten the bolt at the torque of 13-15NM.



4 Loosen the screw and remove the hood of wiring box and top cover of wiring press.



5 The customer's power cable goes through the pole and cable press, and connect the cable as per the wiring diagram.



6 Assemble the wiring box and fasten it with the screw.



7 Close the fixture with the steel clip.