

CFS-MQ5a INDOOR SERIES 12~85 Watts



Ordering Info	
12W	CFS-MQ5a-12E-VL12W
15W	CFS-MQ5a-15E-VL15W
18W	CFS-MQ5a-18E-VL18W
20W	CFS-MQ5a-20E-VL20W
23W	CFS-MQ5a-23E-VL23W
35W	CFS-MQ5a-35E-VL35W
55W	CFS-MQ5a-55E-VL55W
85W	CFS-MQ5a-85E-VL85W

Features :

- *Cold rolled steel plate housing with powder coated finish for corrosion resistance and durable use.
- *Stretched aluminum reflector for good light distribution and anti-glare.
- *Mounted with spring plate for convenient installation and easy maintenance.

Lamp and ballast :

- *Ball type induction lamp 12W~85W features high lighting efficacy, long lifetime, good color rendering, stable output, etc.
- *Electronic ballast features high power factor (>0.95), flickering free, low loss, constant output, etc.

Applications :

- *Hotels, shopping malls, supermarkets, museums, airports, stations, office buildings.

Induction Lighting Features

No electrodes or filaments

- *100,000 hrs rated average life.
- *Low lumen depreciation of <30% @ 60,000 hours.
- *Low operating temperature of components.

High-frequency operation

- *High system efficacy(65-70lm/W)
- *No flickering
- *No stroboscopic effect
- *No noise

Electronic control

- *Output-protected HF generator

Instant (re-)start

- *Light available instantly when needed
- *Short ignition time <0.5sec

3-line fluorescent coating

- *Choice of color temperature
- *White light
- *Excellent color rendition (CRI 85)
- *No color deviation

Induction Lighting Benefits

- *High reliability and virtually maintenance-free operation.
- *Lasting light output right through life time.
- *Increased safety, more standard luminaire construction.
- *Economic, environment-friendly lighting in situations with long burning hours.
- *Restful non-fatiguing light.
- *No danger with rotating machinery.
- *Non-disturbing in operations.
- *Automatic switch-off in case of lamp or power coupler failure.
- *Generator resets 15-30 seconds after switch off.
- *Suitable for security and safety lighting.
- *More comfort.
- *Useful light immediately after switch-on.
- *Installation can be matched to lighting situations and requirements.
- *Uniform predictable lighting results throughout larger installations; color maintained through life.

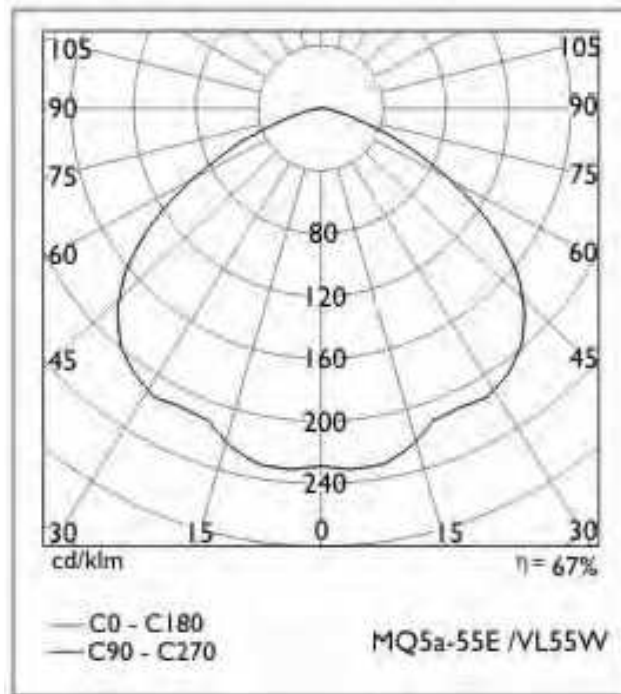


All CFS Inc. products come with a 5 year warranty.

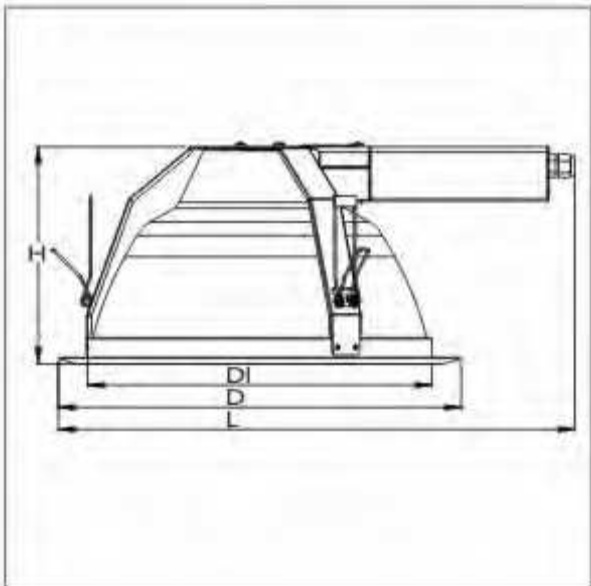
CFS INC.

3 Adams Street- Belvidere, NJ 07823- Tel: 908-475-8991 Fax: 973-729-1271
E-mail: info@cfsinc.us Web Site: www.cfsinc.us

CFS-MQ5a INDOOR SERIES 55 Watt Photometrics



Dimensions



Model No.	D	D1	H	L	Perforated dimension
6"(12W/15W)	Φ 7.6(193)	Φ 6.02(153)	4.33(110)	10.59(269)	6.89(175)
8"(18W/23W)	Φ 9.57(243)	Φ 7.99 (203)	4.84(123)	11.54(293)	8.86(225)
10"(35W/55W)	Φ 11.61(295)	Φ 10.00(254)	6.42(163)	14.88(378)	10.63(270)
10"(85W)				15.87(403)	