

CFS-GC18d HIGH BAY SERIES 70~200 Watts



Ordering Info	
70W	CFS-GC18d-100E-RT70W
80W	CFS-GC18d-100E-RT80W
100W	CFS-GC18d-100E-RT100W
120W	CFS-GC18d-150E-RT120W
150W	CFS-GC18d-150E-RT150W
200W	CFS-GC18d-200E-RT200W

Features:

- *Aluminum reflector with anodized inner surface.
- *UV stabilized tempered-glass lens fastened with clamp band.
- *Die cast aluminum ballast casing with white powder coated finish for corrosion-resistance.
- *UL listed.

Lamps and ballasts:

- *70~200W circular loop induction lamps with high lighting efficacy at rated 100,000hrs lifetime, about 20 years burning on 4000hrs/year.
- *Electronic ballast features high power factor (>0.95), flickering free, constant output wattage, and safe protection.

Ambient temperature for lighting fixture:

- *-10C~40C

Applications:

- *Warehouses, supermarkets, retail showrooms, exhibition halls, factories.

Induction lighting Features

No electrodes or filaments

- *100,000 hrs rated average life.
- *Low lumen depreciation of <30% @ 60,000 hours.
- *Low operating temperature of components.

High-frequency operation

- *High system efficacy(65-70lm/W)
- *No flickering
- *No stroboscopic effect
- *No noise

Electronic control

- *Output-protected HF generator

Instant (re-)start

- *Light available instantly when needed
- *Short ignition time <0.5sec

3-line fluorescent coating

- *Choice of color temperature
- *White light
- *Excellent color rendition (CRI 85)
- *No color deviation

Induction Lighting Benefits

- *High reliability and virtually maintenance-free operation.
- *Lasting light output right through life time.
- *Increased safety, more standard luminaire construction.
- *Economic, environment-friendly lighting in situations with long burning hours.
 - *Restful non-fatiguing light.
 - *No danger with rotating machinery.
 - *Non-disturbing in operations.
- *Automatic switch-off in case of lamp or power coupler failure.
 - *Generator resets 15-30 seconds after switch off.
 - *Suitable for security and safety lighting.
 - *More comfort.
 - *Useful light immediately after switch-on.
- *Installation can be matched to lighting situations and requirements.
- *Uniform predictable lighting results throughout larger installations; color maintained through life.

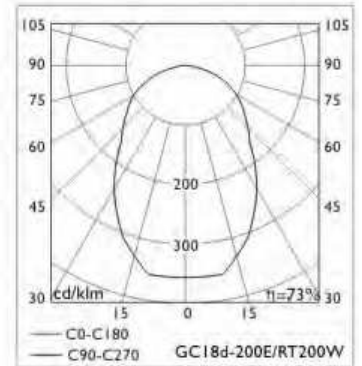
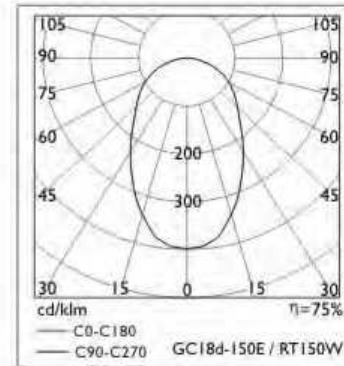
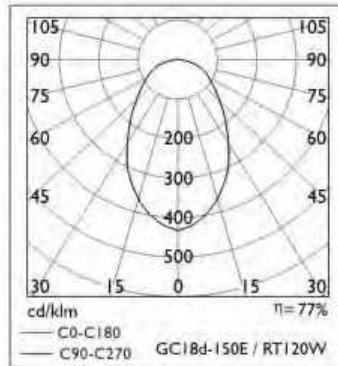
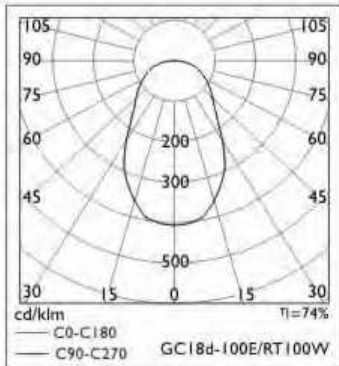
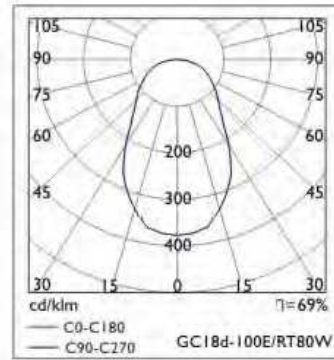
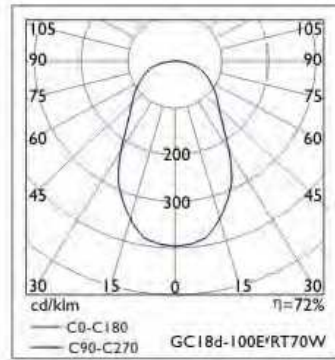


All CFS Inc. products come with a 5 year warranty.

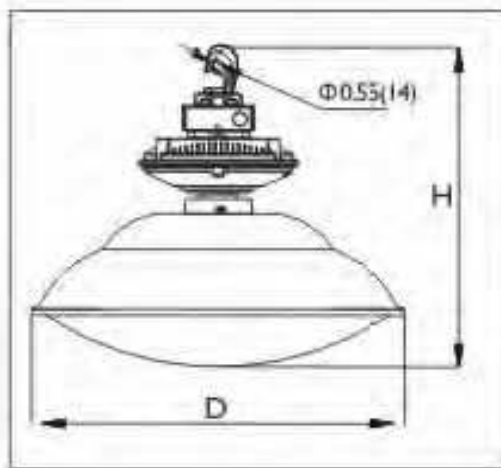
CFS INC.

3 Adams Street- Belvidere, NJ 07823- Tel: 908-475-8991 Fax: 973-729-1271
E-mail: info@cfsinc.us Web Site: www.cfsinc.us

CFS-GC18d HIGH BAY SERIES 70~200 Watt Photometrics



Dimensions



Model No.	D	H	Note
GC18d-100E	$\Phi 18.9(480)$	~16.93(430)	19"AL hood
GC18d-150E	$\Phi 22.44(570)$	~20.87(530)	22"AL hood
GC18d-200E	$\Phi 22.44(570)$	~20.87(530)	22"AL hood