

CFS-ZY1 FLOOD SERIES 40~300 Watts



40W ~250W



300W

Ordering Info	
40W	CFS-ZY1-100E-ST40W
70W	CFS-ZY1-100E-ST70W
80W	CFS-ZY1-100E-ST80W
100W	CFS-ZY1-100E-ST100W
120W	CFS-ZY1-120E-ST120W
150W	CFS-ZY1-150E-ST150W
200W	CFS-ZY1-200E-ST200W
250W	CFS-ZY1-250E-ST250W
300W	CFS-ZY1-2X150E-ST2X150W

Features:

- *Die cast aluminum alloy casing with an electrostatic painted surface for corrosion-resistance.
- *Anodized aluminum reflector and a clear tempered glass lens designed to optimize light distribution.
- *Heat-resistant gas tight silicone seal.

Lamps and ballasts:

- *Rectangle type induction lamp 40~300W features high lighting efficacy, long lifetime, excellent color rendering, and stable output.
- *HF generator features high power factor (<0.95), flicker free, low loss, constant output.

Ambient temperature for lighting fixture:

- *-20C~40C.

Applications:

- *Billboards, buildings, parks, pools, plazas.

Induction lighting Features

No electrodes or filaments

- *100,000 hrs rated average life.
- *Low lumen depreciation of <30% @ 60,000 hours.
- *Low operating temperature of components.

High-frequency operation

- *High system efficacy(65-70lm/W)
- *No flickering
- *No stroboscopic effect
- *No noise

Electronic control

- *Output-protected HF generator

Instant (re-)start

- *Light available instantly when needed
- *Short ignition time <0.5sec

3-line fluorescent coating

- *Choice of color temperature
- *White light
- *Excellent color rendition (CRI 85)
- *No color deviation

Induction Lighting Benefits

- *High reliability and virtually maintenance-free operation.
- *Lasting light output right through life time.
- *Increased safety, more standard luminaire construction.
- *Economic, environment-friendly lighting in situations with long burning hours.
- *Restful non-fatiguing light.
- *No danger with rotating machinery.
- *Non-disturbing in operations.
- *Automatic switch-off in case of lamp or power coupler failure.
- *Generator resets 15-30 seconds after switch off.
- *Suitable for security and safety lighting.
- *More comfort.
- *Useful light immediately after switch-on.
- *Installation can be matched to lighting situations and requirements.
- *Uniform predictable lighting results throughout larger installations; color maintained through life.



All CFS Inc. products come with a 5 year warranty.

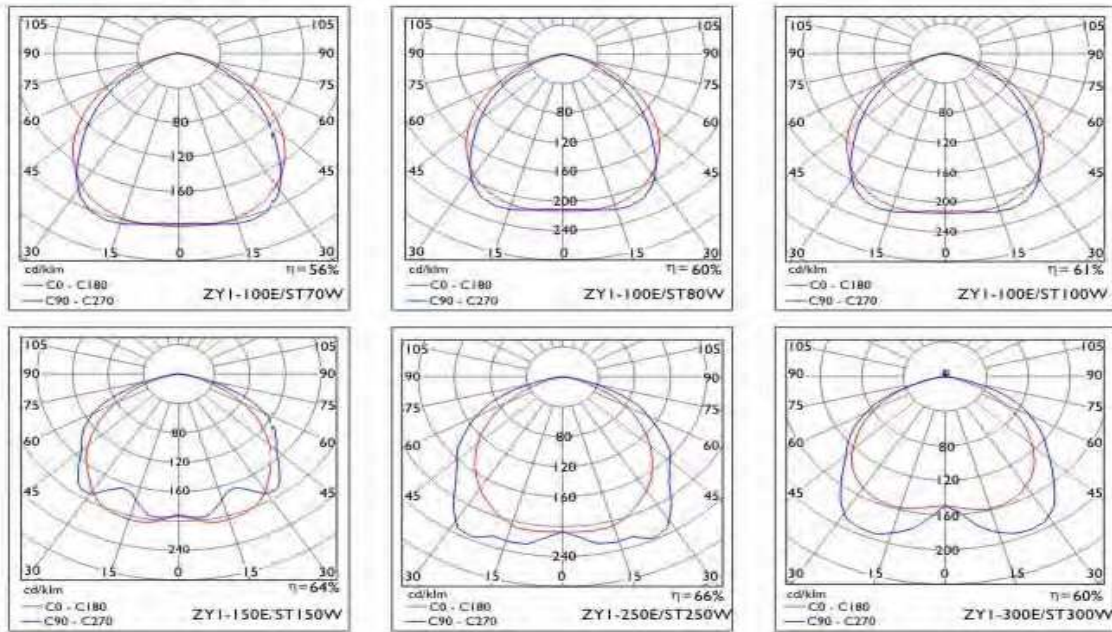
CFS INC.

3 Adams Street- Belvidere, NJ 07823- Tel: 908-475-8991 Fax: 973-729-1271

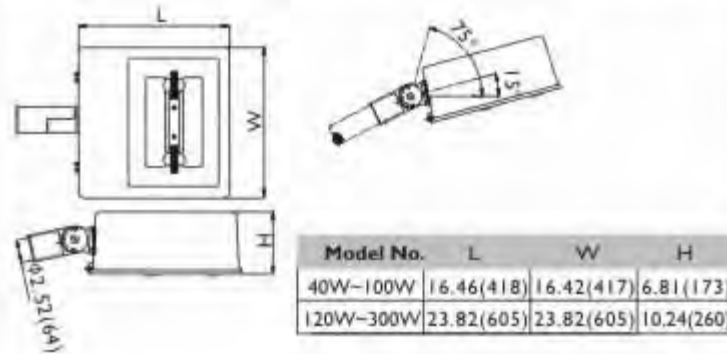
E-mail: info@cfsinc.us

Web Site: www.cfsinc.us

CFS-ZY1 FLOOD SERIES 70/80/100/150/250/300 Watt Photometrics



Dimensions



Installation Instructions



1 Unscrew the screw of the cover of the splitfitter and remove the cover.



2 Unscrew the hex bolt of the split fitter.



3 Detach the split fitter. Pull the cable from and through the hole of the split fitter. The cable shall be about 250mm long out of hole.



4 Pull the cable through the fixture. Set the angle and fasten the split fitter with the hex bolt.



5 Close the cover and fasten it with the screw.



6 Unscrew the 4 screws at the lamp compartment and Open the fixture.



7 Connect the wire to the terminal as per the diagram.



8 Close the fixture and fasten the four screws.



9 Assemble the pole with the fixture and tighten the two screws.